

LOWER GROUND FLOOR - SITE AND DRAINAGE PLAN
SCALE 1:100

STORMWATER PIT SCHEDULE - Community and Amenities building - Rothwell Park

SWP No	Pit Cover Level (RL)	Pit Inert Level (IL)	Depth (mm)	Internal Pit Size	Pit Type	Cover Type	Cover Class	Remarks
A1	8.13	7.7	430	450x450	SIP	SOLID	B	
A2	6.000	5.400	600	600x600	SIP	GRATE	B	Provide Trash Screen
A3	6.200	5.600	600	600x600	SIP	GRATE	B	Provide Trash Screen

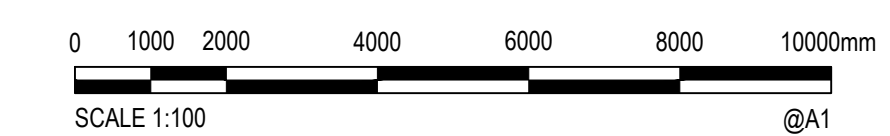
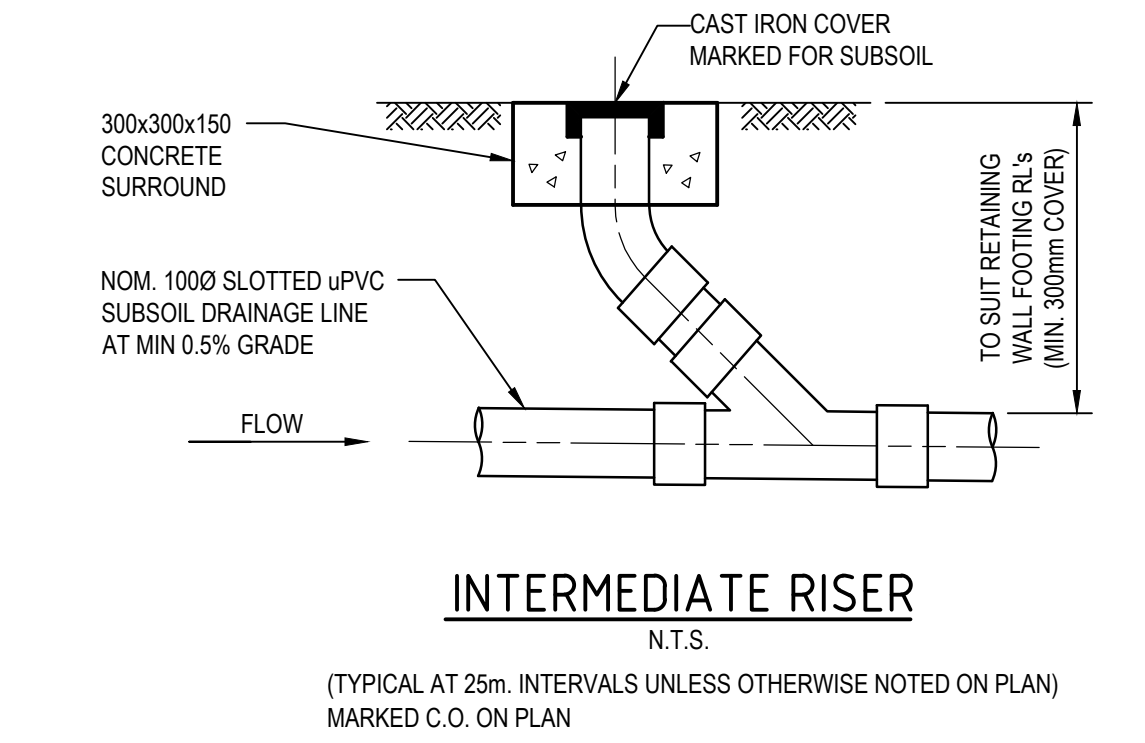
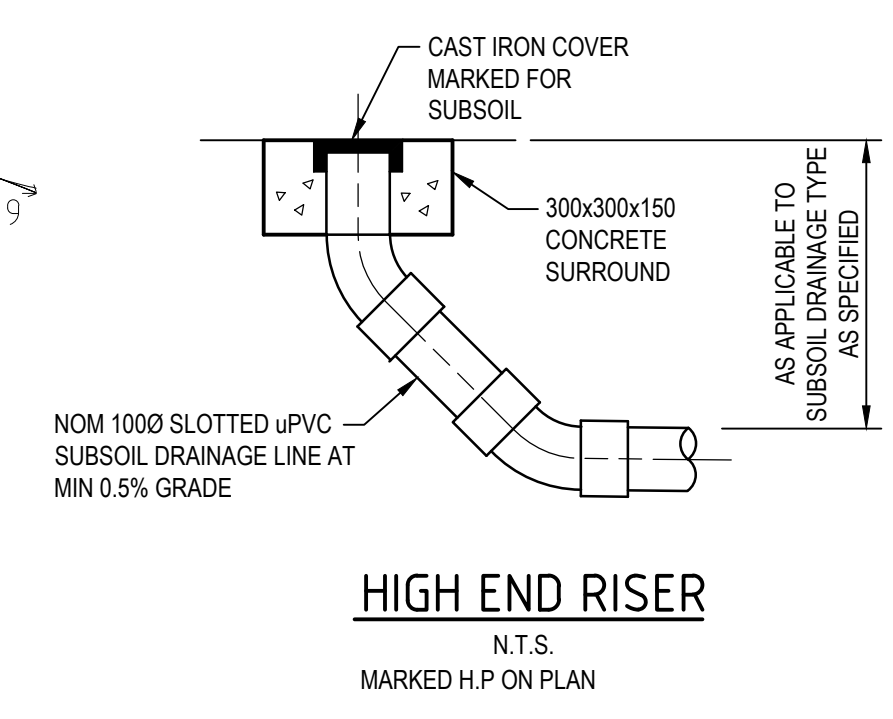
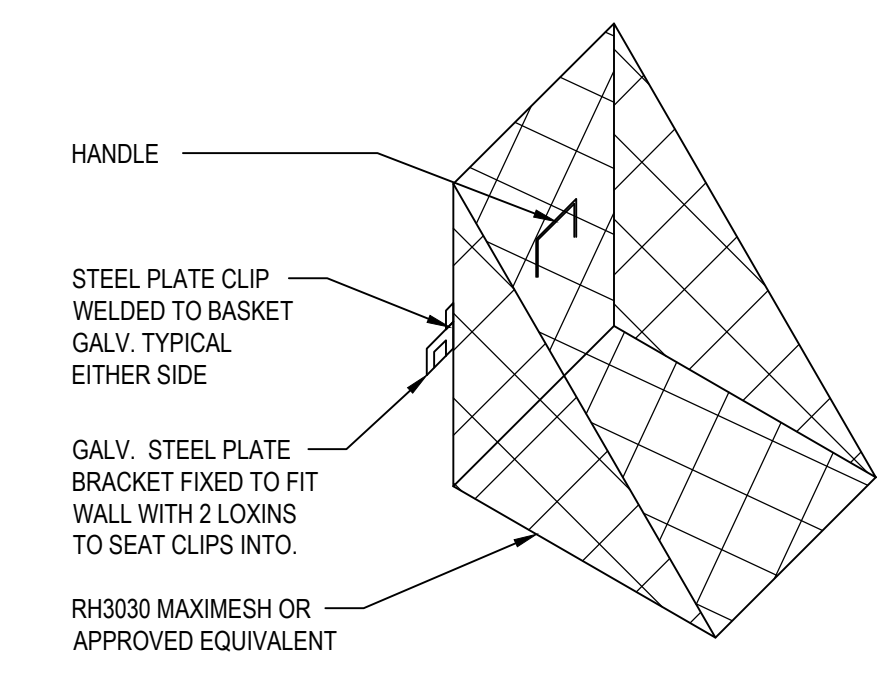
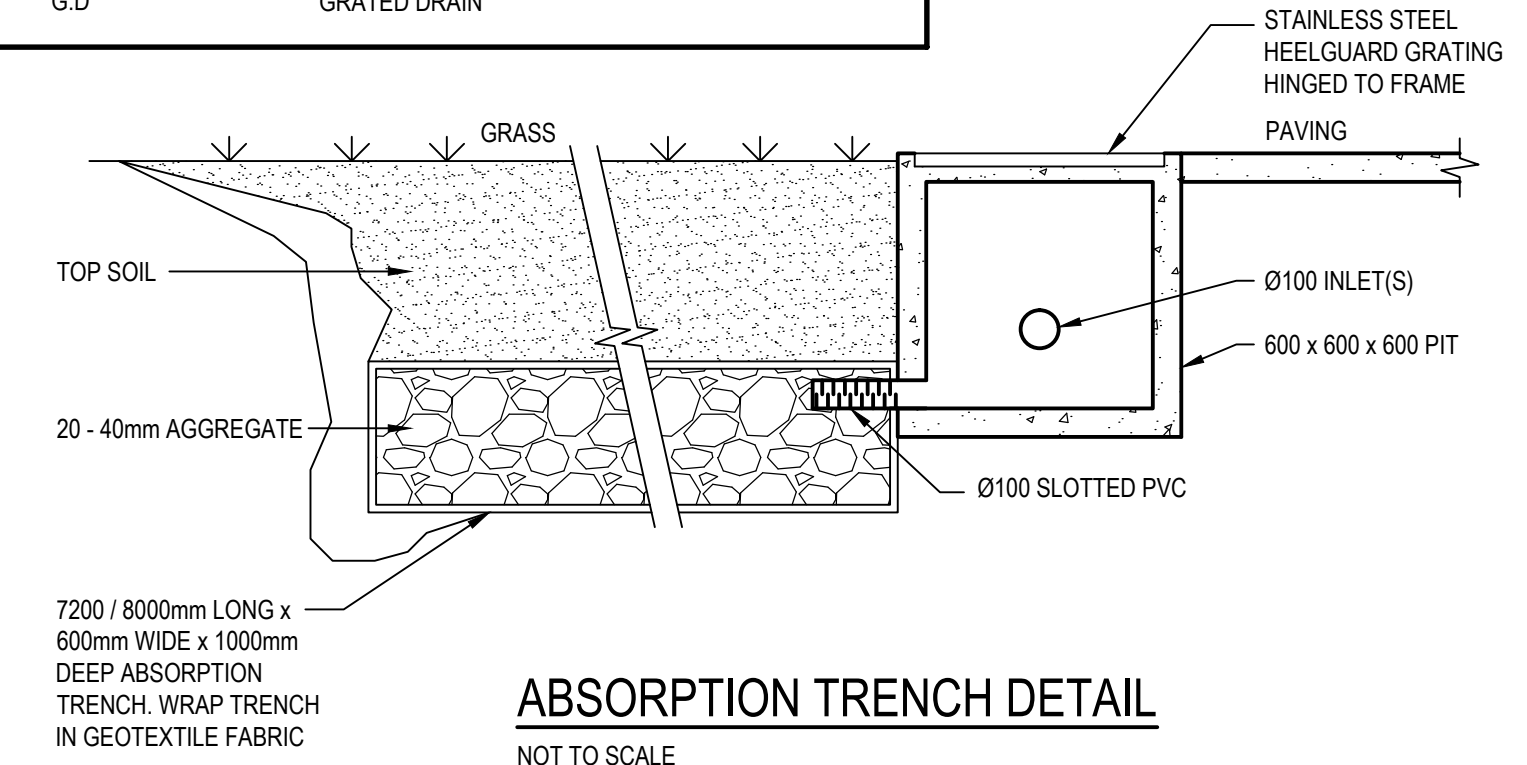
FOR BUILDING STRUCTURE REFER TO DRAWINGS 80816048-ST-0001 TO 80816048-ST-0004
FOR EMBANKMENT CONSTRUCTION DETAILS REFER TO THE SITE PREPARATION NOTES ON DRAWING 80816048-ST-0001
MAXIMUM SLOPE 1:6 (V:H)

LEGEND

- SWP A1: PROPOSED STORMWATER PIT
- SWD: PROPOSED STORMWATER PIPES
- KO: PROPOSED KERB ONLY
- S.C: PROPOSED SAWN JOINT
- EJ: PROPOSED EXPANSION JOINT
- 130: PROPOSED SLAB THICKNESS
- [X X X X]: PROPOSED AREA OF NEW CONCRETE PAVEMENT
- [---]: PROPOSED SUB SOIL DRAIN
- H.P: PROPOSED HIGH POINT
- C.O: PROPOSED CLEAN OUT
- G.D: GRATED DRAIN

LEGEND (cont.)

- [---]: SILT FENCE/HAYBALE
- [O]: SILT TRAP/SAND BAGS



Rev.	Date	Description	Des.	Verif.	Appd.
5	28/09/2016	DRAWING REVISED AS SHOWN CLOUDED	LPD	TY	TY
4	18/03/2016	REVISED CC ISSUE	AC	TY	TY
3	16/03/2016	CC ISSUE	AC	TY	TY
2	26/10/2015	TENDER ISSUE	LPD	TY	TY
1	21/09/2015	CONSTRUCTION CERTIFICATE ISSUE	LPD	TY	TY

© Cardno Limited All Rights Reserved.
This document is produced by Cardno Limited solely for the benefit of and use by the client in accordance with the terms of the retainer. Cardno Limited does not and shall not assume any responsibility or liability whatsoever to any third party arising out of any use or reliance by third party on the content of this document.

Cardno
Shaping the Future
Cardno (NSWACT) Pty Ltd | ABN 95 001 145 035
Level 9, The Forum, 203 Pacific Highway
St Leonards, NSW 2005
Tel: 02 9496 7700 Fax: 02 9439 5170
Web: www.cardno.com.au

Drawn: LPD Date: SEP. 2015
Checked: TY Date:
Designed: TY Date:
Verified: TY Date:
Approved: Date:

Client: **BRIARS SPORTING CLUB**
Project: **COMMUNITY AND AMENITIES BUILDING ROTHWELL PARK CONCORD**
Title: **LOWER GROUND FLOOR - SITE AND DRAINAGE PLAN AND DETAILS**

Status: **FOR APPROVAL**
NOT TO BE USED FOR CONSTRUCTION PURPOSES
Scale: 1:100 Size: A1
Drawing Number: **80816048-CI-0001** Revision: **5**